

Advanced Controlled Durable

by FROMM – since 1947

For detailed
information,
please request
our data
sheets

FROMM Strap Dispensers:

- Advanced design and technology
- Controlled strap feed, till the end of each coil
- Durable and robust build, for a long reliable and lean service life
- Economic investment and operation
- PLC controlled

FROMM | AUTOMATED
SOLUTIONS

Further information: www.fromm-automation.com

Strap Dispensers for
Automatic and Semi-automatic
Strapping Solutions

A family with many possibilities *by FROMM*

Sophisticated industrial design and high quality standards, make these FROMM strap dispensers absolute everyday heroes.

The dispensers fit perfectly into any existing strapping installation and are ideal for flexible single or multiple configurations with steel and plastic strap. To be able to meet all its customer needs, FROMM offers a family of basically 4 different dispenser types. They can handle standard coils (SC), Jumbo Coils (JC), Super Jumbo Coils (SJC) or Ultra Jumbo Coils (UJC). Left or right hand loading.

The built-in sensor technology with intelligent brake system prevents the strap from running uncontrolled.

Everything in the interest of the customer – FROMM dispensers are:

Applications

- handles every strap type and standard available coil sizes
- available for Semi- and Automatic operation
- are suitable for steel or plastic strap
- easy to integrate in new and existing system

Technology

- electronically controlled and equipped with a sophisticated braking and de-coil control system
- using the most modern production, control and material technologies

Operation

- designed to easily change coils efficiently
- various options, such as end-of-strap detection and strap-end stopper, prevent unnecessary downtime
- a motor drive for fast feeding

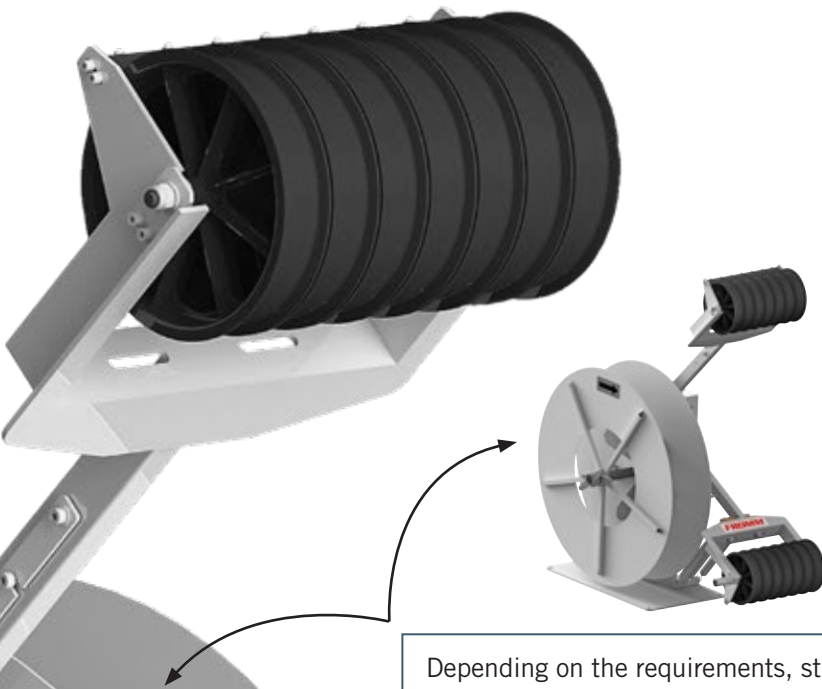
Service and Quality

- virtually maintenance free due to its durable design and construction
- designed and manufactured under the strict FROMM quality standards
- 12 months factory warranty, with a possibility to extend this period up to 24 months. Reassuring your choice.

All dispensers are electronically controlled, by PLC.



One HAJ13 Super Jumbo Coil dispenser can load a strap capacity equal to about 45 standard coils. This results in considerably fewer machine stops and roll changes.



Depending on the requirements, strap can be loaded from the right or the left side of the dispenser. If desired, it can easily be converted to the other side.

The accumulator ensures a constant tension of the strap for a smooth and trouble free operation. If needed, its capacity can simply be increased by additional wheels.



FROMM STARstrap™ Polyester strap (PET) *by FROMM*

As a leading manufacturer of quality tools and equipment for various strapping systems and applications, FROMM has four own polyester strapping production facilities worldwide.

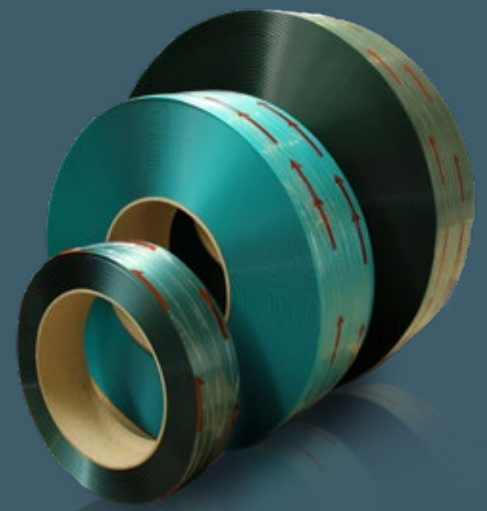
Experience has shown that, the use of PET straps is not only cheaper, but that they are often also better suited to their task than traditional steel straps.

Therefore, in more than 90% of new strapping projects or major system overhauls, PET has become the first choice in all kinds of industry.

Some eye catching advantages of PET-strap over steel strapping:

- Made of first class recycled PET (bottle grade)
- Higher elongation properties
- High breaking strength
- Very constant tensile strength
- Absorbs shock loads, shrinkage and stretching, during transport and handling
- Lighter weight, more meters to the Kg.
- Safer to handle

In the development and production of our PET-strap, we use the same high quality standards as those for our machines and tools.



Have we aroused your interest?

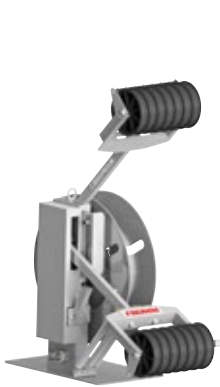
Please contact our local FROMM branch or our distributor for more information or customized advice.

Also online at www.fromm-pack.com

The best for every strapping solution

Advanced, PLC controlled, durable, economic and service-friendly

Our dispensers can be easily integrated into your existing operation, but can also be used as stand-alone systems. Most models are available for both steel and plastic straps.



KB series (vertical):

For standard plastic strap coils.
Max. 25 kg



JC series (vertical):

For steel and plastic strap Jumbo coils.
Max. 90 kg

Saving more with PET:
1 Jumbo coil replaces
4 Standard coils = 3 x
fewer machine stops
and roll changes!



SJC series (vertical):

For steel and plastic strap Super Jumbo coils. Max. 500 kg

Saving more with PET:
1 Super Jumbo coil
replaces up to 15
Standard coils = 14 x
fewer machine stops
and roll changes!



HAI series (horizontal):

Can carry multiple Ultra-Jumbo coils for steel and plastic strap.
Max. 7 x 90 kg, 3 x 300 kg or 2 x 500 kg

Saving more with PET:
3 Super Jumbo coils replace 45 Standard coils = 42 x fewer machine stops and roll changes!



R&D and Manufacturing by FROMM

FROMM strap dispensers are developed and manufactured in our automated solutions works in Caprino Veronese, Italy. The same strict FROMM rules and regulations apply to meet the latest quality, performance and safety standards.

State-of-the-art technologies, the clear design and durable construction combined with the materials used make them the best in their fields. They are manufactured and assembled from high quality materials that can be easily disassembled and recycled in separate, special procedures. Their design is also reflected in the low maintenance and the minimal use of lubricants.

FROMM | AUTOMATED SOLUTIONS

Further information: www.fromm-automation.com

Distributor