

PM 309

Automatic plastic strapping machine



Enhanced strapping machine model for wide strapping

PM309

Automatic plastic strapping machine

The PM 309 is the enhanced model automatic strapping machine for wide strapping (8 - 12mm). With the enhanced features, PM309 is the most powerful machine and the best price/performance ratio product in its class for wide straps general purpose application.

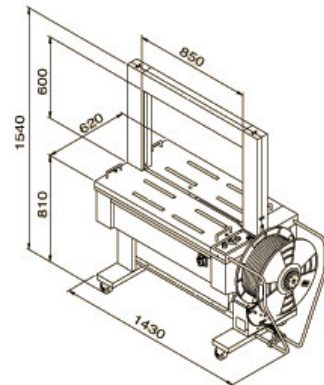
Features

- CE certified
- Proven quality
- Competitive price
- Bundles and cartons can be strapped very easily and quickly
- User-friendly and easy strap coil change
- Easy operation, simple maintenance
- Electronic outside tension control
- Tension can be easily set with a dial
- Mobile, on wheels with brakes
- Auto strap reefed
- Strap end ejector
- Short feed sensor and foot switch included



Technical Data

| | | |
|-------------------|-----------------------|----------------|
| Strap quality | Polypropylene PP | |
| Strap dimension | widths | 8.0 - 12.0 mm |
| | thickness | 0.55 - 0.75 mm |
| Strap tension | adjustable, 70 - 700N | |
| Sealing method | heat welding | |
| Speed | 29 cycles/minute | |
| Power supply | 230V / 50Hz | |
| Power consumption | 1.2 kWh | |
| Dimensions | Length | 1430 mm |
| | Width | 620 mm |
| | Table height | 810 mm |
| Weight | 220 kg | |



Auto strap ejector



Auto strap feeding