

Manual overhead hopper system for decentralized applications for AP 100

**Characteristics**

Economic solution:

- Accessory for the Airpad models AP 100-200 and AP 100-400
- Basic design, very cost effective
- Easy to assemble

Universal, mobile solution:

- Used for decentralized applications
- Space-saving solution for easy integration
- 4 wheels (2 with brackets) for mobile use
- Useable in stand-alone configuration

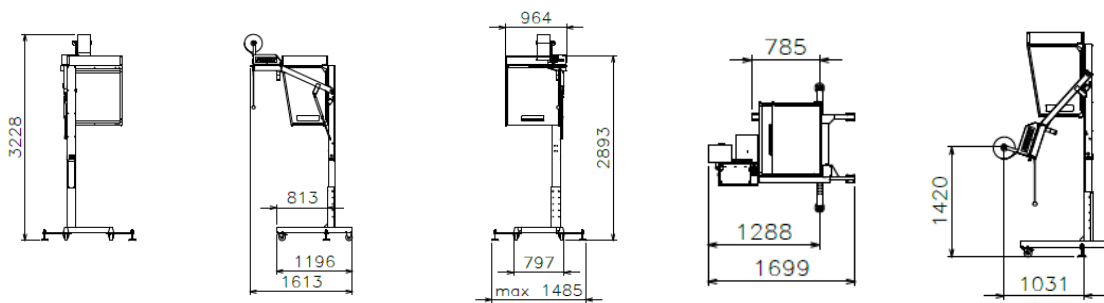
Ergonomic solution:

- Ergonomic design for convenient air pad dispensing
- Easy roll change by conveniently lowering the machine
- Adjustable opening height for optimum operator comfort
- Three openings for single or multiple operators
- Automatic replenishment of the bin
- Start-Stop-button fixed on the mast
- No noisy air ducting nor bower for a very silent operation

Technical specifications

Dimensions:	Height: 3.228 mm (including AP 100) Width: 964 mm (without variable horizontal adjustment lock) Depth: 1.613 mm (including AP 100)
Footprint:	Width: 797 mm – max. 1.485 mm (variable horizontal adjustment lock) Depth: 1.196 mm
Loading position:	Height: 1.420 mm – 1.020 mm (depending on adjustable mast height)
Extraction position:	Height: 1.500 mm – 1.900 mm (adjustable)
Extraction ports:	3
Filling volume:	0,5 m ³

Technical drawings



Applications



Types and codes

50.2117

Manual overhead hopper